

MP SERIES

Magnetic Drive Pump

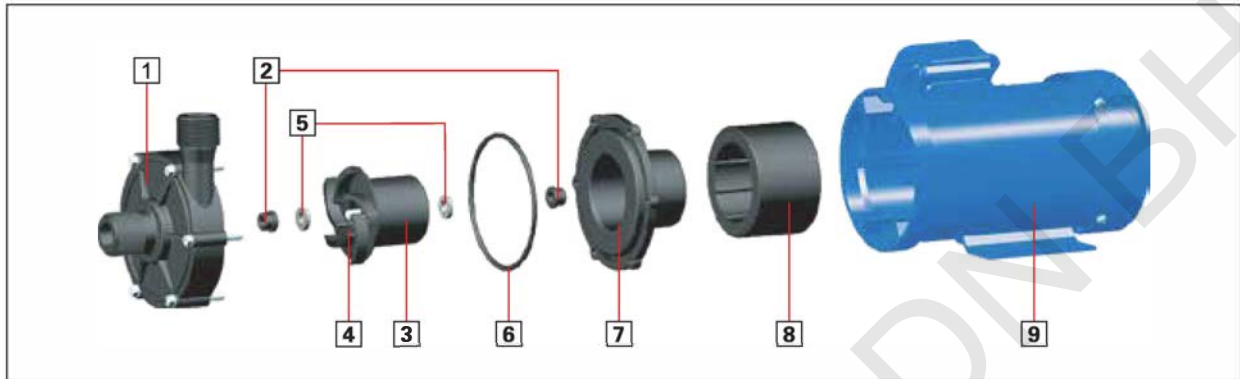
MP series magnetic drive pump having wide range of specification for selection. It is suitable for most of the wet process application.



MP SERIES

Magnetic Drive Pump

MATERIAL



NO.	Description	ACE	ACV	ARE	ARV	SSE	SSV
1	Pump shell			GFRPP/CFRPP/PVDF/CFRETFE			
2	Bearing	CARBON		PTFE			SSIC
3	Impeller unit			GFRPP/CFRPP/PVDF/CFRETFE			
4	Shaft		CERAMIC				SSIC
5	Thrust ring		CERAMIC				SSIC
6	O-Ring	EPDM	VITON	EPDM	VITON	EPDM	VITON
7	Insulate sheath			GFRPP/CFRPP/PVDF/CFRETFE			
8	Drive magnet			Isotropic ferrite			
9	Motor						

SPECIFICATIONS

Model	Tube interface		Spiral interface R-MRX-MRZ-M		Max. Capacity (L/min) 50Hz/60Hz	Max. Head (m) 50Hz/60Hz	Specific weight	Motor		Weight (kg)
	Inlet (mm)	Outlet (mm)	Inlet /Outlet (Inch) (Inch)	Joint section specifications (mm)				Output (w) 50Hz/60Hz	Phase	
MP-6R	14	14	-	-	8.0/9.0	1.0/1.4	1.2		1	0.9
MP-6RZ	14	14	-	-	5.5/6.0	2.1/2.7	1.1	6/6	1	
MP-10R	14	14	-	-	11/12	1.5/2.1			1	
MP-15R	16	16	G ³ / ₄	13	16/19	2.4/3.4	1.3	10/10	1	1.5
MP-20R	18	18	G ³ / ₄	16	27/32	3.1/4.3	1.1		1	1.9
MP-20RX	26	26	G1	20	46/52	1.8/2.5	1.3	20/20	1	
MP-20RZ	17.5	17	G ³ / ₄	13	10/11	4.6/6.9	1.1		1	3.1
MP-30R	20	20	G ³ / ₄	16	32/38	3.8/5.4	1.3		1	
MP-30RX	26	26	G1	20	62/72	2.9/4.1	1.1	45/45	1	
MP-30RZ	17.5	17	G ³ / ₄	13	15/17	8.0/11	1.0		1	3.8
MP-40R	20	20	G ³ / ₄	16	45/52	4.6/6.5	1.1		1	
MP-40RX	26	26	G1	20	75/85	3.3/4.7		65/65	1	
MP-40RZ	20	20	G ³ / ₄	16	22/22	10/13.5	1.0		1	6.0
MP-40RZ-5	20	20	G ³ / ₄	16	11/-	11.5/-		65/-	1	
MP-55R	26	26	G1	20	60/70	5.6/8.2	1.2	90/90	1or3	6.6
MP-55R-5					70/-	8.2/-		90/-	1or3	
MP-70R	26	26	G1	20	86/97	6.7/9.7	1.0	150/180	1or3	8.1
MP-70RZ	20	20	G ³ / ₄	16	40/43	14.3/20.3		180/216	1or3	
MP-100R	26	26	G1	20	120/135	8.6/11.9	1.2	260/265	1or3	8.5
MP-100R-5					135/-	11.7		260/-	1or3	
MP-120R	-	-	G1 ¹ / ₂	36	220/220	10.5/10.5	1.2	370/370	1or3	

- The Union type, flange interface can be provided on request.
- G = Spiral interface is the straight pipe specs of UK.

- Liquid temperature range 0-80°C

MP SERIES

Magnetic Drive Pump

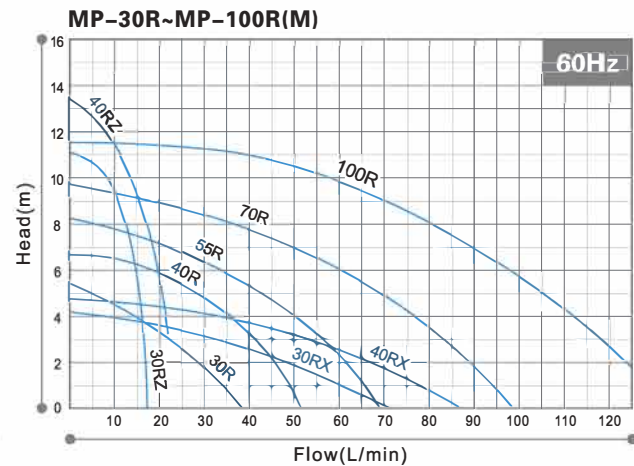
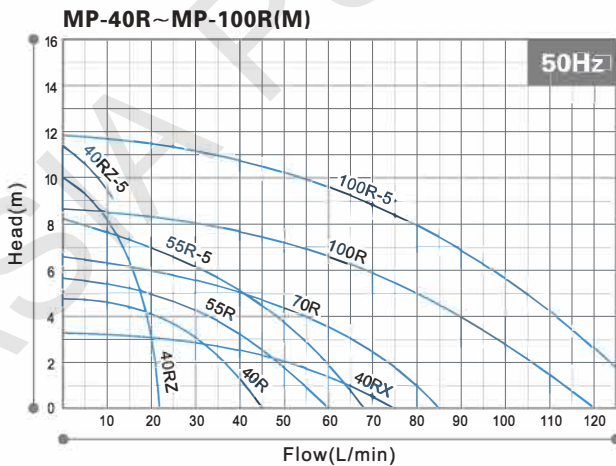
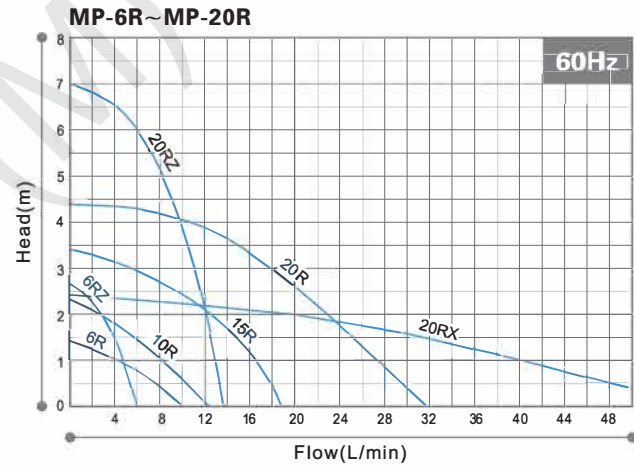
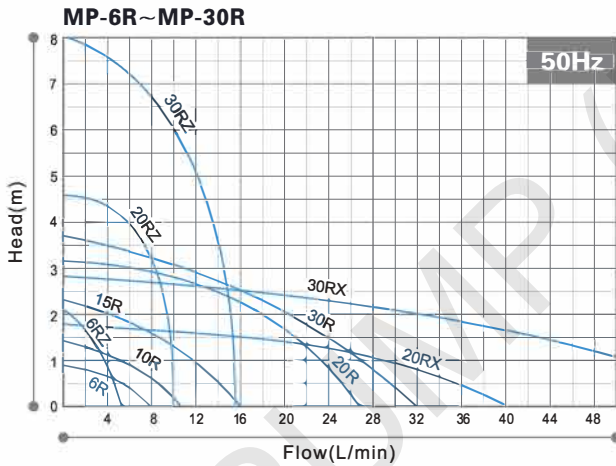
MODEL IDENTIFICATION

MP - 100 R M G A R V - 5
 ① ② ③ ④ ⑤ ⑥ ⑦ ⑧ ⑨

① Series Symbol	MP
② Specification	6, 10, 15, 20, 30, 40, 55, 70, 100, 120
③ Type	R: Standard RZ: High head RX: High capacity
④ Type of Connection	Non-code: means the ordinary type, M: means the thred mouthpiece, U: Union

⑤ Casing Material	G: GFRPP C: CFRPP P: PVDF E: CFRETFE
⑥ Shaft Material	A: CERAMIC S: SSIC
⑦ Bearing Material	C: CARBON R: PTFE S: SSIC
⑧ O-Ring Material	E: EPDM V: VITON
⑨ Frequency	No code: Normal 50/60HZ 5: 50HZ

PERFORMANCE CURVES

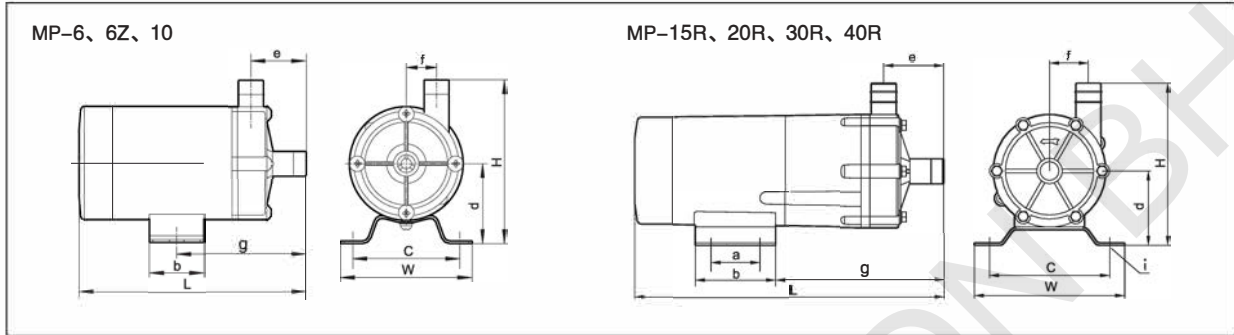


● The performance curve is the performance of transferring clear water in room temperature.

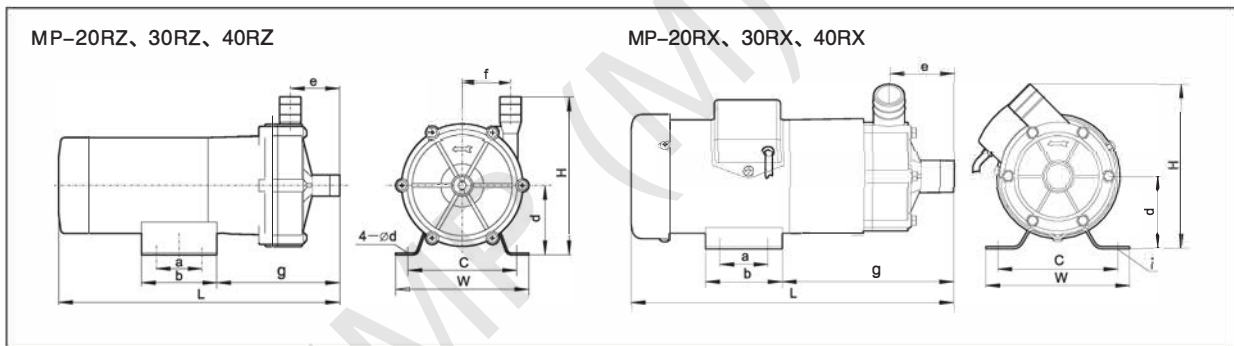
MP SERIES

Magnetic Drive Pump

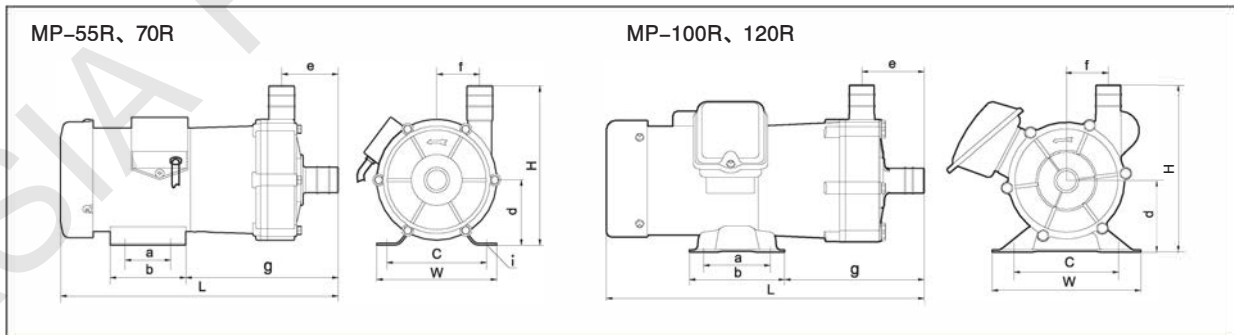
DIMENSIONAL DRAWING, PART DRAWING



Model	W	H	L	a	b	c	d	e	f	g	i	Model	W	H	L	a	b	c	d	e	f	g	i
MP-6	74	83	129	-	30	60	36	31	17	74	2- ϕ 6	MP-15R	83	100	194	49	64	68	45	39	23	92	4-6x10
MP-6Z	74	83	129	-	30	60	36	31	17	74	2- ϕ 6	MP-20R	85	115	211	30	50	68	56	38.5	28.5	106	4-5.5x10
MP-10	74	83	129	-	30	60	36	31	17	74	2- ϕ 6	MP-30R	120	130	248	40	64	100	60	48	31	131	4- ϕ 9
												MP-40R	120	134	260	45	75	100	64	48	31	137	4-9x14



Model	W	H	L	a	b	c	d	e	f	g	i	Model	W	H	L	a	b	c	d	e	f	g	i
MP-20RZ	85	126	212	30	50	68	56	40	40	109	4-5.5x10	MP-20RX	85	130	220	30	50	68	56	46.5	-	118	4-5.5x10
MP-30RZ	120	130	234	40	64	100	60	40	40	120	4- ϕ 9	MP-30RX	120	137	257	40	64	100	60	54	-	137	4- ϕ 9
MP-40RZ	120	150	241	40	64	100	60	40	45	128	4- ϕ 9	MP-40RX	120	140	269	45	75	100	64	54	-	143	4-9x14



Model	W	H	L	a	b	c	d	e	f	g	i	Model	W	H	L	a	b	c	d	e	f	g	i
MP-55R	120	158	277	45	75	100	65	56.5	43	152	4-9x14	MP-100R	156	174	335	70	100	110	74	65.5	44	147	4-9x27
MP-55R-5	120	158	277	45	75	100	65	56.5	43	152	4-9x14	MP-100R-5	156	174	335	70	100	110	74	65.5	44	147	4-9x27
MP-70R	143	158	286	70	96	108	65	56.5	43	135	4-9x22	MP-120R	140	210	369	98	128	110	95	80	51	120.5	4- ϕ 12

ASIA PUMP (M) SDN BHD (123884-X)

No. 14 Jalan IKS Bukit Tengah,
Taman IKS Bukit Tengah, 14000
Bukit Mertajam, Penang Malaysia.
Tel: +604-508 8848 H/P: +6012-955 8646
Email: sales@asiapump.com.my
Web: www.asiapump.com.my

ASIA PUMP (SHENZHEN) CO., LIMITED

1-1st Factory, Xitou Community Industrial
Zone One Road, Songgang town, Bao'an District,
Shenzhen, China.
Tel: +86-755-237 16934 Fax: +86-755-23729910
Email: huanya@asiapump123.com
Web: www.asiapump123.com

ASIA PUMP (HONGKONG) CO., LIMITED

Room 1318-19, Hollywood Plaza,
610 Nathan Road, Mongkok,
Kowloon, Hong Kong.
Tel: (852) 2710 8200 (EXT)83889
Fax: (852) 2710 8266



Website QR Code

Distributor / Sales Agent