

MPH SERIES

Magnetic Drive Pump

MPH series magnetic drive pump using the traditional ultimate design to achieve the good pump performance and efficiency. Proper selection of the wet end materials enable the pump to operate without fail under short time cavitation and dry running.



MPH SERIES

Magnetic Drive Pump

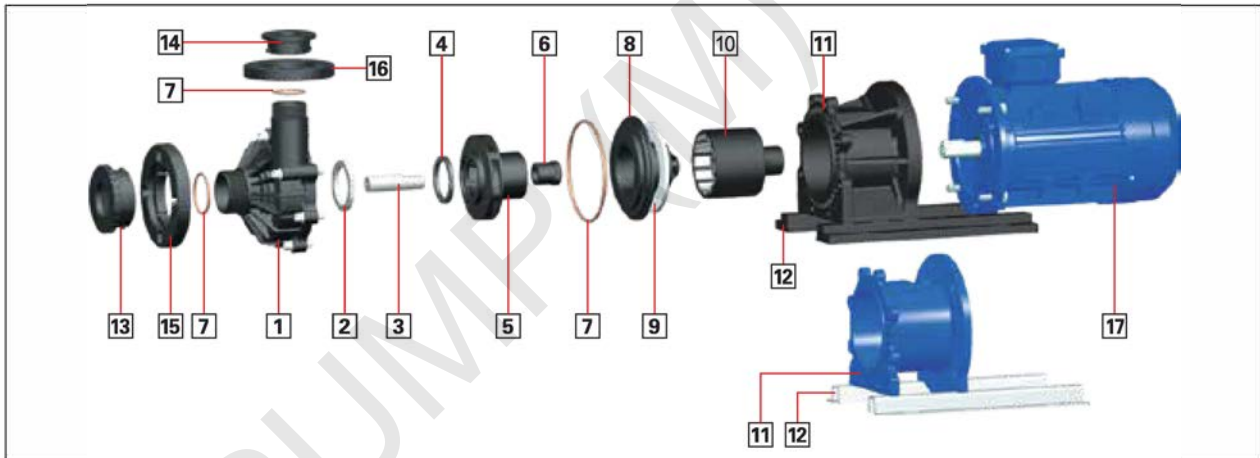
MODEL IDENTIFICATION

MPH - 4 5 2 F G A C V 5 - C S

① ② ③ ④ ⑤ ⑥ ⑦ ⑧ ⑨ ⑩ ⑪ ⑫

① Series Symbol	MPH	⑦ Shaft Material	A: CERAMIC S: SSIC
② Suction Size	4:40A (1½") 5:50A (2") 6:65A (2½")	⑧ Bearing Material	A: CERAMIC C: CARBON R: PTFE S: SSIC
③ Discharge Size	4:40A (1½") 5:50A (2")	⑨ O-Ring Material	E: EPDM V: VITON K: FFKM
④ Motor Power	0: 1/2HP (0.4kW) 1: 1HP (0.75kW) 2: 2HP (1.5kW) 3: 3HP (2.2kW) 5: 5HP (3.7kW)	⑩ Code of impeller	5: 50HZ 6: 60HZ
⑤ Type of Connection	F: Flange U: Union	⑪ Motor Type	No code: TEFC Indoor type C: TEFC Outdoor type A: Increased safety type
⑥ Casing Material	G: GFRPP C: CFRPP P: PVDF E: CFRETPE	⑫ Special Code	No code: Standard type S: Special type

MATERIAL

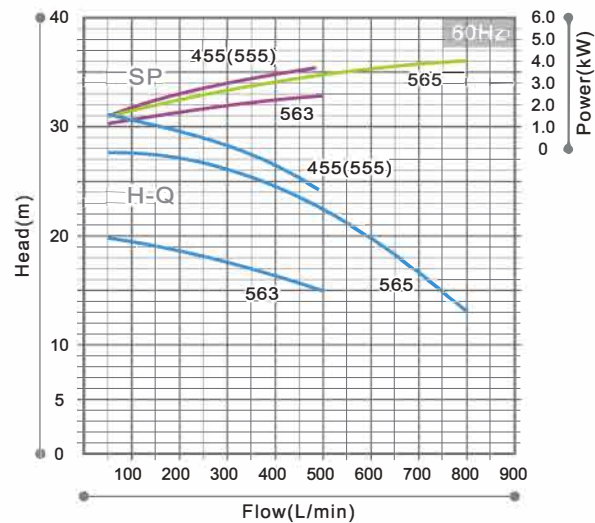
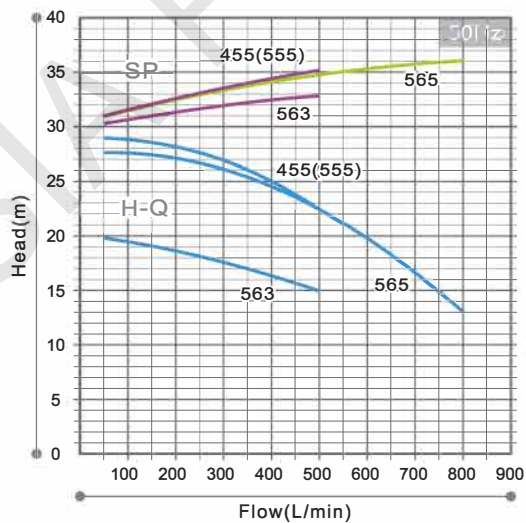
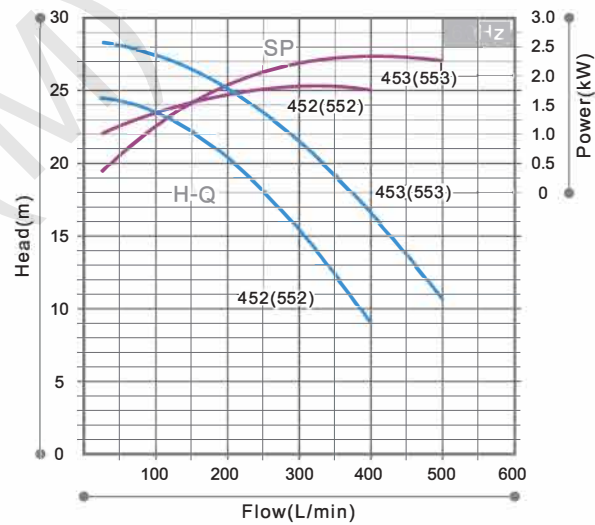
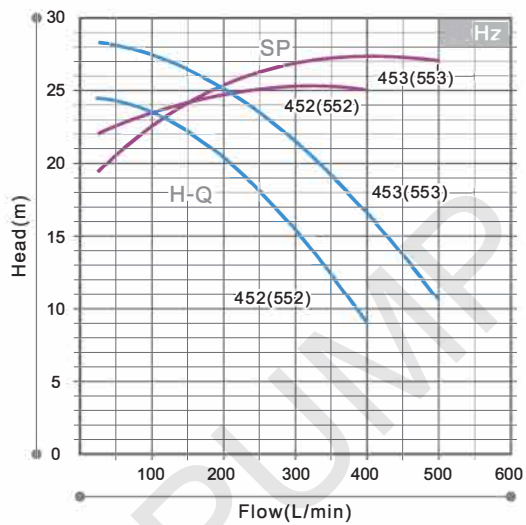
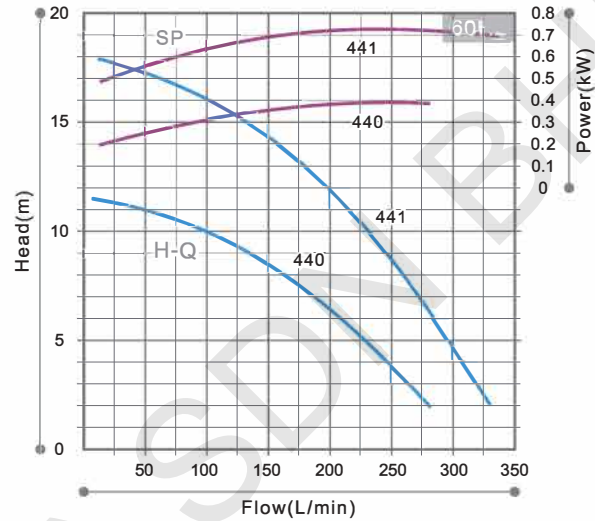
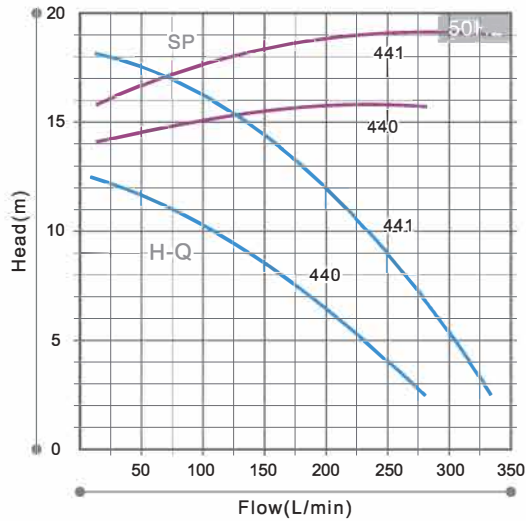


NO.	Description	ACE	ACV	ARE	ARV	AAE	AAV	SSE	SSV
1	Pump casing	GFRPP/CFRPP/PVDF/CFRETPE							
2	Front thrust ring	CERAMIC							SSIC
3	Shaft	CERAMIC							
4	Wear resistant ring	PTFE							SSIC
5	Impeller unit	GFRPP/CFRPP/PVDF/CFRETPE							
6	Bearing	CARBON		PTFE		CERAMIC		SSIC	
7	O-Ring	EPDM	VITON	EPDM	VITON	EPDM	VITON	EPDM	VITON
8	Rear casing	GFRPP/CFRPP/PVDF/CFRETPE							
9	Backup plate	SUS304							
10	Drive magnet	Nd-Fe-B							
11	Frame	GFRPP							
12	Base frame	GFRPP/SUS304							
13	Inlet flange adapter	GFRPP/CFRPP/PVDF/CFRETPE							
14	Outlet flange adapter	GFRPP/CFRPP/PVDF/CFRETPE							
15	Inlet adjustable flange	GFRPP/PVDF							
16	Outlet adjustable flange	GFRPP/PVDF							
17	Motor								

MPH SERIES

Magnetic Drive Pump

PERFORMANCE CURVES



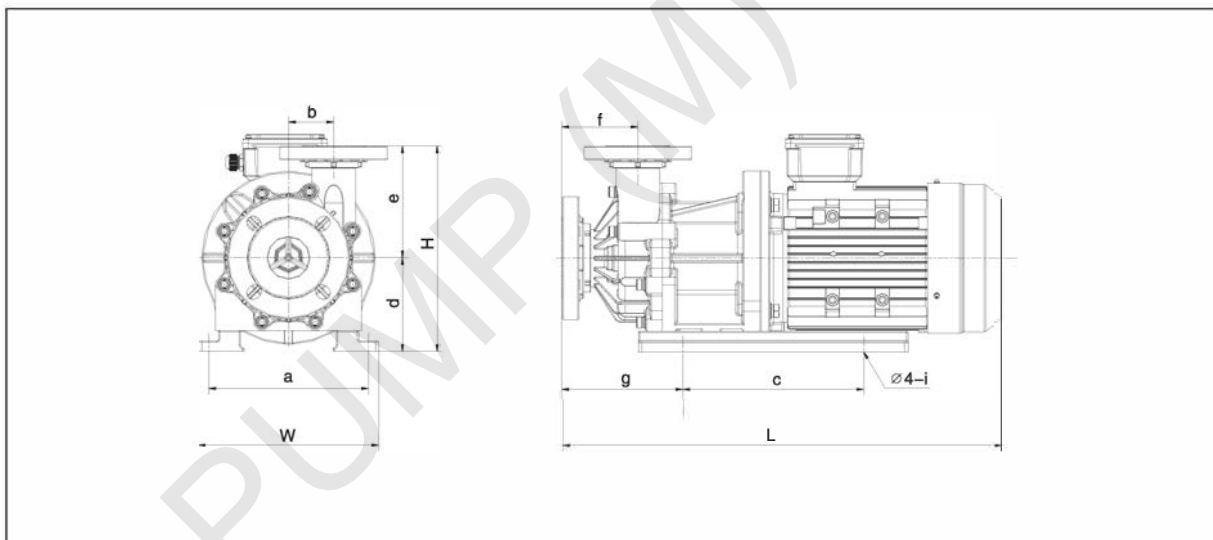
MPH SERIES

Magnetic Drive Pump

SPECIFICATIONS

Model	In let x Outlet	Specific Gravity	Rated Capacity (L/min)	Rated Head (m)	Max. Capacity (L/min)	Max. Head (m)	Motor output (kW)
MPH-440	40A x 40A	1.0	150/150	8.5/8.5	280/280	12.5/11.5	0.4
MPH-441	40A x 40A	1.0	200/200	12/12	330/320	18/18.5	0.75
MPH-452	50A x 40A	1.2	250/250	19/19	400/400	24/24	1.5
MPH-552	50A x 50A	1.2	250/250	19/19	400/400	24/24	1.5
MPH-453	50A x 40A	1.0	300/300	22/22	500/500	28/28	2.2
MPH-553	50A x 50A	1.0	300/300	22/22	500/500	28/28	2.2
MPH-455	50A x 40A	1.0	400/400	26.5/26.5	600/600	29/31	3.75
MPH-555	50A x 50A	1.0	400/400	26.5/26.5	600/600	29/31	3.75
MPH-563	65A x 50A	1.0	450/450	16.5/16	600/600	20/20	2.2
MPH-565	65A x 50A	1.0	500/500	18.5/22	730/800	28/29	3.75

DIMENSIONAL DRAWING, PART DRAWING



Type	W	H	L	a	b	c	d	e	f	g	i
MPH-440	140	216	428	110	51	98	95	121	87	147	12
MPH-441	160	255	478	130	57.5	130	115	140	104.5	174.5	12
MPH-452	260	255	576	208	65	200	115	140	91	156.5	14
MPH-552	260	255	576	208	65	200	115	140	91	156.5	14
MPH-453	260	255	576	208	65	200	115	140	91	156.5	14
MPH-553	260	255	576	208	65	200	115	140	91	156.5	14
MPH-455	260	275	613.5	230	65	261	135	140	91	156.5	14
MPH-555	260	275	613.5	230	65	261	135	140	91	156.5	14
MPH-563	260	276	496.5	208	65	200	115	161	110	176.5	14
MPH-565	260	296	635.5	230	65	261	135	161	110	178.5	14

- NOTICE: The full length of the pump will be different, it depends on the motor brand or manufacturer and type.

ASIA PUMP (M) SDN BHD (123884-X)

No. 14 Jalan IKS Bukit Tengah,
Taman IKS Bukit Tengah, 14000
Bukit Mertajam, Penang Malaysia.
Tel: +604-508 8848 H/P: +6012-955 8646
Email: sales@asiapump.com.my
Web: www.asiapump.com.my

ASIA PUMP (SHENZHEN) CO., LIMITED

1-1st Factory, Xitou Community Industrial
Zone One Road, Songgang town, Bao'an District,
Shenzhen, China.
Tel: +86-755-237 16934 Fax: +86-755-23729910
Email: huanya@asiapump123.com
Web: www.asiapump123.com

ASIA PUMP (HONGKONG) CO., LIMITED

Room 1318-19, Hollywood Plaza,
610 Nathan Road, Mongkok,
Kowloon, Hong Kong.
Tel: (852) 2710 8200 (EXT)83889
Fax: (852) 2710 8266



Website QR Code

Distributor / Sales Agent