

AS SERIES

Vertical Acid/Alkaline Resistant Pump

AS SERIES FEATURES :

Pump body made of FRPP, PVDF material having the ability to withstand high temperature and corrosion environment. Double layer dry liquid seal design, can prevent the erosion of motor bearing by chemical gas.

Seal-less designed, not damaged by dry-running.

Suitable for plating, etching spray cleaning equipment.

Waste gas scrubber. Cooling circulating and match with filter to use.



AS SERIES

Vertical Acid/Alkaline Resistant Pump

MODEL IDENTIFICATION

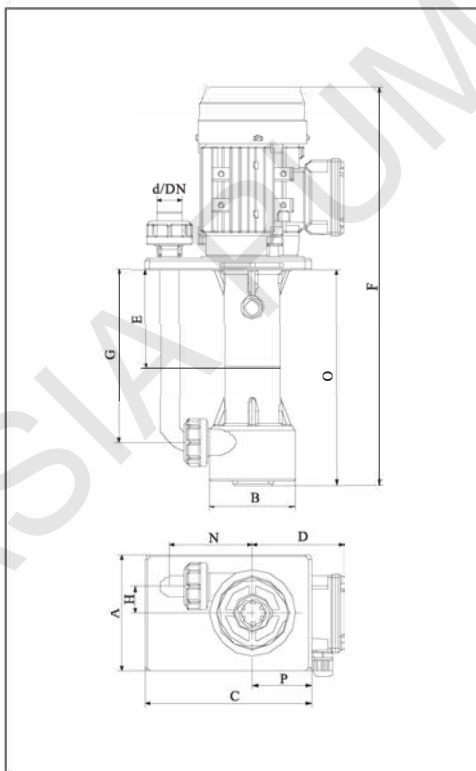
AS - 15 E G - 120 - 5 B
 ① ② ③ ④ ⑤ ⑥ ⑦

① Series Symbol	AS	⑤ Motor Power	50: 1/15HP (50W) 90: 1/8HP (90W) 120: 1/6HP (120W)
② Size	15: 1/2" 20: 3/4"	⑥ Frequency	5: 50Hz 6: 60Hz
③ O-Ring Material	E: EPDM V: VITON N: NBR	⑦ Base Shape	B: Standard Type F: Square Y: Circle W: Groove External T: Special Customized
④ Casing Material	No code: PP G: GFRPP A: CPVC P: PVDF		

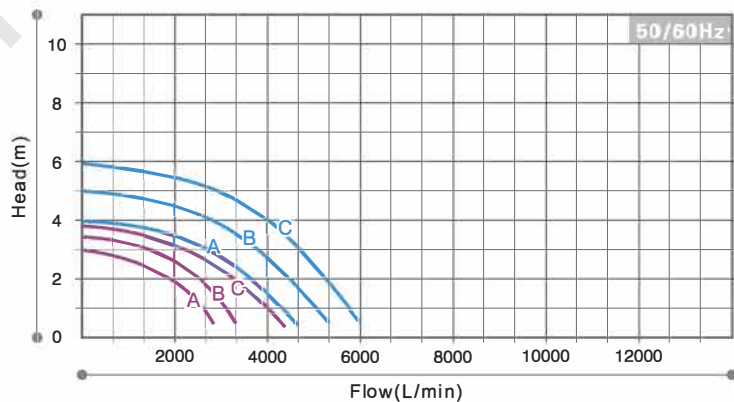
SPECIFICATION

Item Model	Size (mm)	Power		50HZ			60HZ			Weight (Kg)
		Phase	HP	Curve (red)	Total head (m)	Total capacity (L/min)	Curve (blue)	Total head (m)	Total capacity (L/min)	
AS-15-50	15	1	1/15	A	3	50	A	4	75	4
AS-15-50	15	3	1/15	A	3	50	A	4	75	4
AS-15-90	15	1	1/8	B	3.5	60	B	5	85	4.5
AS-15-90	15	3	1/8	B	3.5	60	B	5	85	4.5
AS-15-120	15	1	1/6	C	3.8	70	C	6	100	4.8
AS-15-120	15	3	1/6	C	3.8	70	C	6	100	4.8

DIMENSIONAL DRAWING, PART DRAWING



PERFORMANCE CURVES



Model	Size(mm)					
	A	B	C	D	E	F
AS-15-50	120	88	170	95	101.5	407
AS-15-90	120	88	170	95	101.5	407
AS-15-120	120	88	170	95	101.5	407

Model	Size(mm)				
	G	H	N	P	O
AS-15-50	177	27	85	60	220.5
AS-15-90	177	27	85	60	220.5
AS-15-120	177	27	85	60	220.5

AS SERIES

Vertical Acid/Alkaline Resistant Pump

MODEL IDENTIFICATION

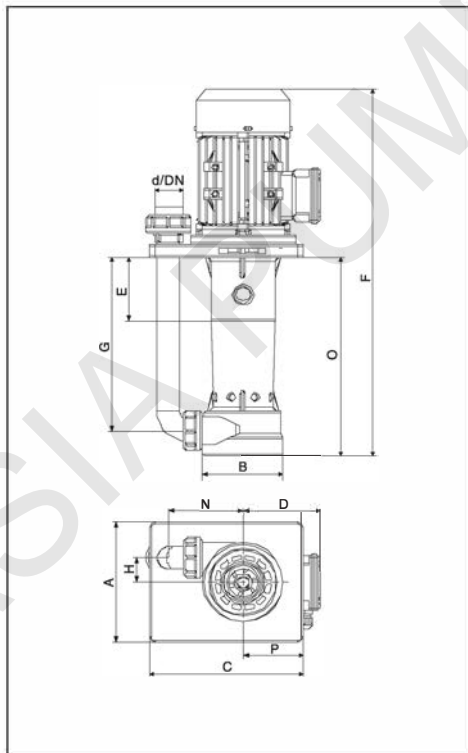
AS - 20 E G - 180 - 5 B
 ① ② ③ ④ ⑤ ⑥ ⑦

① Series Symbol	AS	⑤ Motor Power	180: 1/4HP (180W) 250: 1/3HP (250W) 370: 1/2HP (370W)
② Size	20: 3/4" 25: 1" 32:1-1/4"	⑥ Frequency	5: 50Hz 6: 60Hz
③ O-Ring Material	E: EPDM V: VITON N: NBR	⑦ Base Shape	B: Standard Type F: Square Y: Circle W: Groove External T: Special Customized
④ Casing Material	No code: PP G: GFRPP A: CPVC P: PVDF		

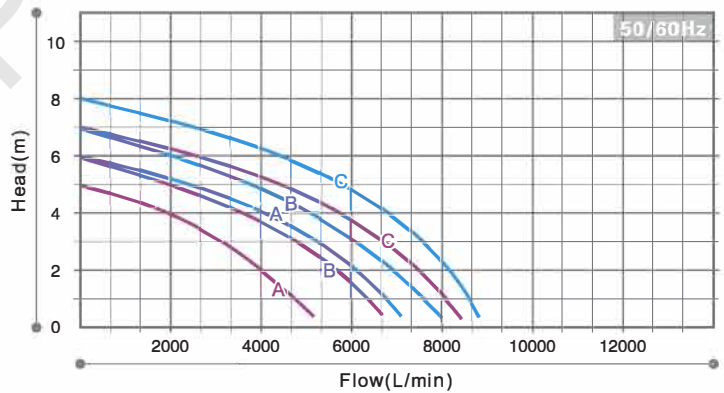
SPECIFICATION

Model	Item	Size (mm)	Power		50HZ		60HZ		Weight (Kg)		
			Phase	HP	Curve (red)	Total head (m)	Total capacity (L/min)	Curve (blue)		Total head (m)	Total capacity (L/min)
AS-20-180		20	1	1/4	A	5	90	A	6	110	8
AS-20-180		20	3	1/4	A	5	90	A	7	110	8
AS-20-250		20	1	1/3	B	6	105	B	7	130	8.5
AS-20-250		20	3	1/3	B	6	105	B	7	130	8.5
AS-25-370		25	1	1/2	C	7	135	C	8	150	9.5
AS-25-370		25	3	1/2	C	7	145	C	8	160	9.5

DIMENSIONAL DRAWING, PART DRAWING



PERFORMANCE CURVES



Model	Size(mm)					
	A	B	C	D	E	F
AS-20-180	170	113	213	101	90	499.5
AS-20-250	170	113	213	109	90	523
AS-25-370	170	113	213	109	90	523

Model	Size(mm)				
	G	H	N	P	O
AS-20-180	247.5	35	100	85	284
AS-20-250	247.5	35	100	85	284
AS-25-370	247.5	35	100	85	284

AS SERIES

Vertical Acid/Alkaline Resistant Pump

MODEL IDENTIFICATION

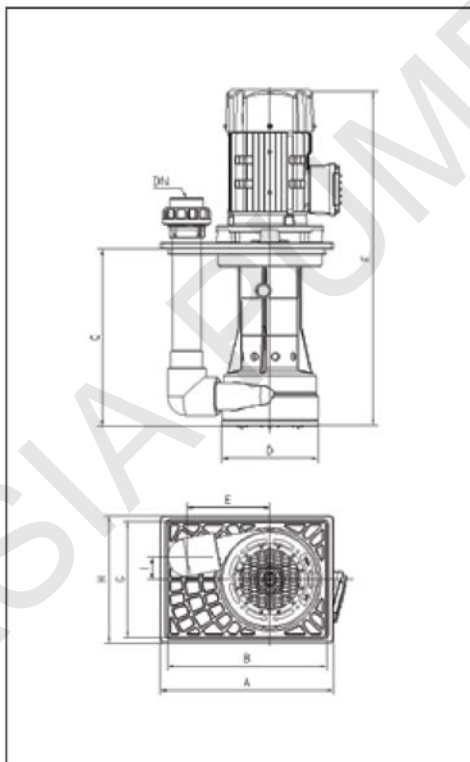
AS - 32 E G - 750 - 5 B
 ① ② ③ ④ ⑤ ⑥ ⑦

① Series Symbol	AS	⑤ Motor Power	550: 3/4HP(550W) 1100: 1.5HP(1100W) 2200: 3HP(2200W)	750: 1HP(750W) 1500: 2HP(1500W)
② Size	25: 1" 32: 1-1/4" 40: 1-1/2"	⑥ Frequency	5: 50HZ 6: 60HZ	
③ O-Ring Material	E: EPDM V: VITON N: NBR	⑦ Base Shape	B: Standard Type F: Square Y: Circle W: Groove External T: Special Customized	
④ Casing Material	No code: PP G: GFRPP A: CPVC P: PVDF			

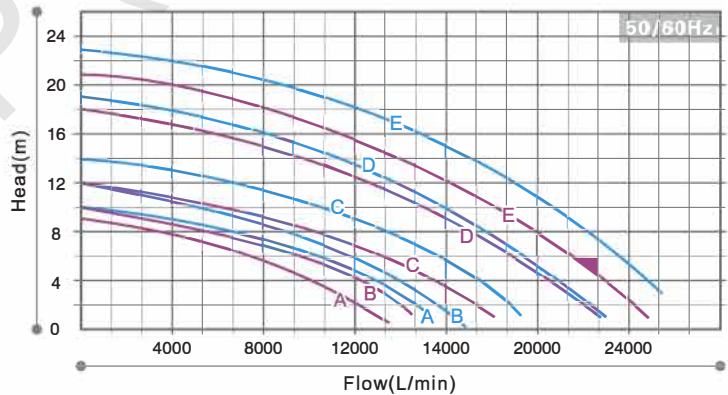
SPECIFICATION

Model	Item	Size (mm)	Power		50HZ		60HZ		Weight (Kg)		
			Phase	HP	Curve (red)	Total head (m)	Total capacity (L/min)	Curve (blue)		Total head (m)	Total capacity (L/min)
AS-32-550		32	3	3/4	A	9	230	A	10	250	16
AS-32-750		32	3	1	B	10	250	B	12	280	17.5
AS-32-1100		32	3	1.5	C	12	310	C	14	330	20
AS-40-1500		40	3	2	D	18	380	D	19	380	22
AS-40-2200		40	3	3	E	21	410	E	23	450	24

DIMENSIONAL DRAWING, PART DRAWING



PERFORMANCE CURVES



Model	Size(mm)					
	A	B	C	D	E	F
AS-32-550	300	270	411	168	148	687
AS-32-750	300	270	411	168	148	687
AS-32-1100	300	270	411	168	148	687
AS-40-1500	300	270	411	168	148	710
AS-40-2200	300	270	411	168	148	730

Model	Size(mm)			
	G	H	I	DN
AS-32-550	200	220	38	32
AS-32-750	200	220	38	32
AS-32-1100	200	220	38	32
AS-40-1500	200	220	38	40
AS-40-2200	200	220	38	40

ASIA PUMP (M) SDN BHD (123884-X)

No. 14 Jalan IKS Bukit Tengah,
Taman IKS Bukit Tengah, 14000
Bukit Mertajam, Penang Malaysia.
Tel: +604-508 8848 H/P: +6012-955 8646
Email: sales@asiapump.com.my
Web: www.asiapump.com.my

ASIA PUMP (SHENZHEN) CO., LIMITED

1-1st Factory, Xitou Community Industrial
Zone One Road, Songgang town, Bao'an District,
Shenzhen, China.
Tel: +86-755-237 16934 Fax: +86-755-23729910
Email: huanya@asiapump123.com
Web: www.asiapump123.com

ASIA PUMP (HONGKONG) CO., LIMITED

Room 1318-19, Hollywood Plaza,
610 Nathan Road, Mongkok,
Kowloon, Hong Kong.
Tel: (852) 2710 8200 (EXT)83889
Fax: (852) 2710 8266



Website QR Code

Distributor / Sales Agent