

AMX SERIES

Magnetic Drive Pump

AMX series features pump body represents the latest industrial design level of the plastic magnetic pump.



AMX SERIES

Magnetic Drive Pump

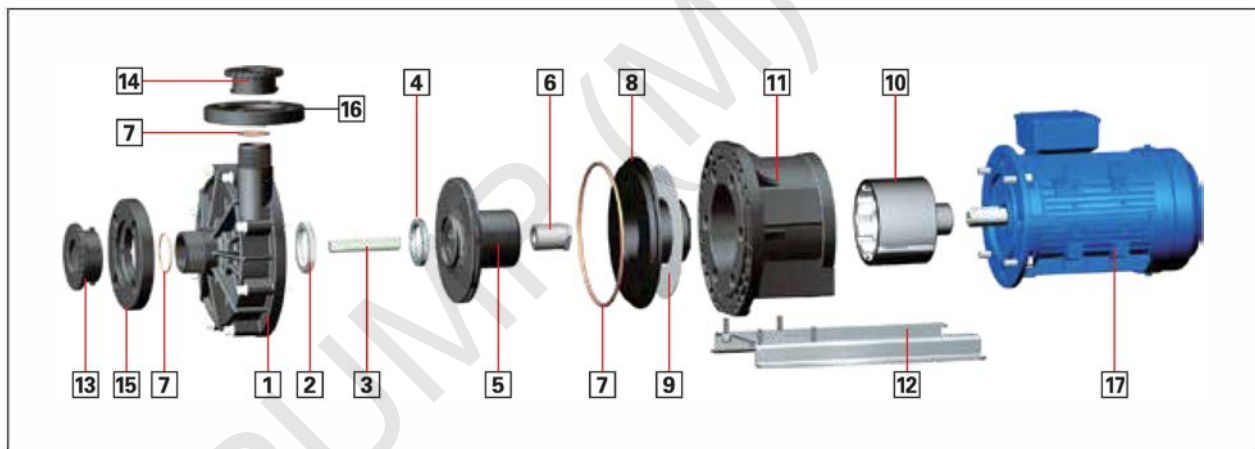
MODEL IDENTIFICATION

AMX - 5 4 2 F G A C V 5 - C S

① ② ③ ④ ⑤ ⑥ ⑦ ⑧ ⑨ ⑩ ⑪ ⑫

① Series Symbol	AMX	⑦ Shaft Material	A: CERAMIC S: SSIC
② Suction Size	4:40A (1½") 5:50A (2") 6:65A (2½")	⑧ Bearing Material	A: CERAMIC C: CARBON R: PTFE S: SSIC
③ Discharge Size	4:40A (1½") 5:50A (2")	⑨ O-Ring Material	E: EPDM V: VITON K: FFKM
④ Motor Power	0: 1/2HP (0.375kW) 1: 1HP (0.75kW) 2: 2HP (1.5kW) 3: 3HP (2.2kW) 5: 5HP (3.75kW)	⑩ Code of impeller	5: 50HZ 6: 60HZ
⑤ Type of Connection	F: Flange U: Union	⑪ Motor Type	No code: TEFC Indoor type C: TEFC Outdoor type A: Increased safety type
⑥ Casing Material	G: GFRPP C: CFRPP P: PVDF E: CFRETPE	⑫ Special Code	No code: Standard type S: Special type

MATERIAL

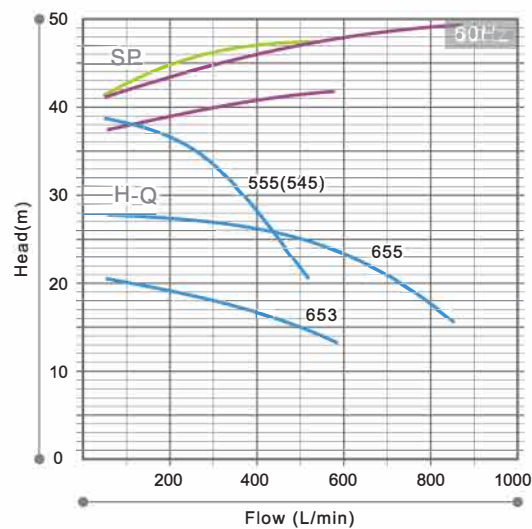
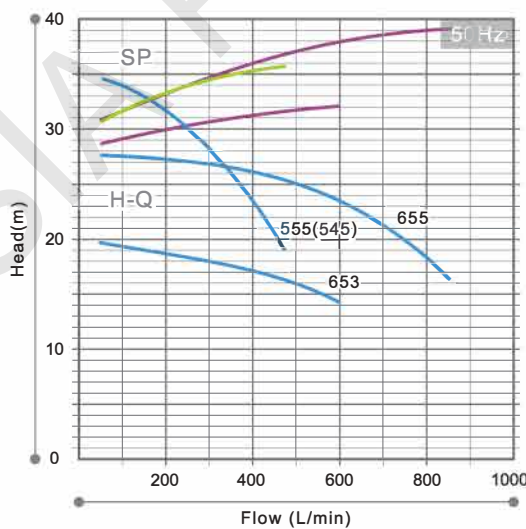
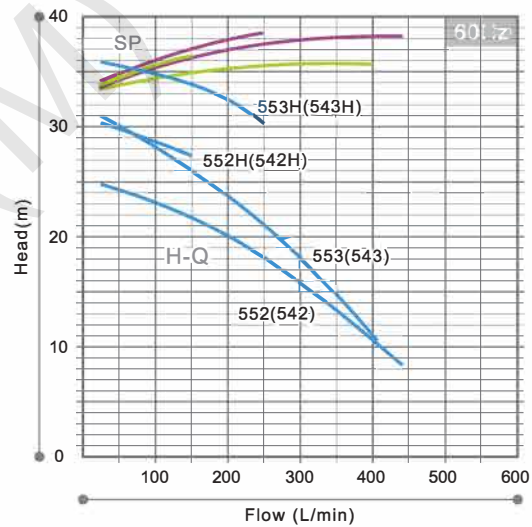
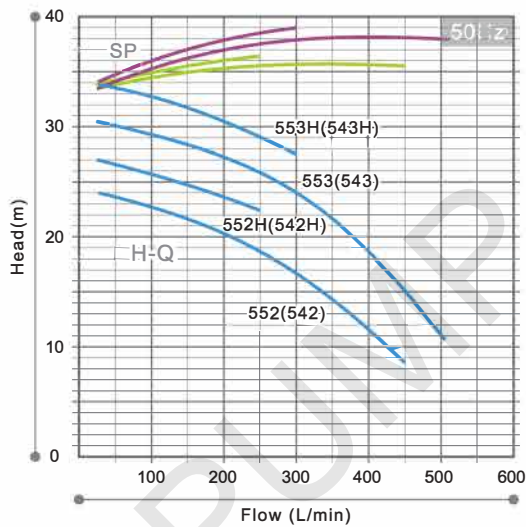
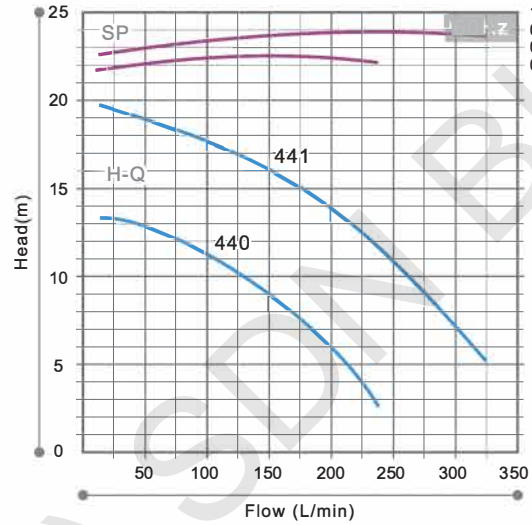
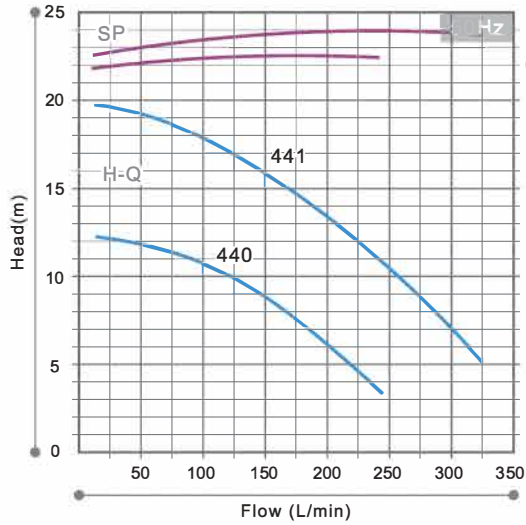


NO.	Description	ACE	ACV	ARE	ARV	AAE	AAV	SSE	SSV
1	Pump casing	GFRPP/CFRPP/PVDF/CFRETPE							
2	Front thrust ring	CERAMIC							SSIC
3	Shaft	CERAMIC							SSIC
4	Wear resistant ring	PTFE							SSIC
5	Impeller unit	GFRPP/CFRPP/PVDF/CFRETPE							
6	Bearing	CARBON		PTFE		CERAMIC		SSIC	
7	O-Ring	EPDM	VITON	EPDM	VITON	EPDM	VITON	EPDM	VITON
8	Rear casing	GFRPP/CFRPP/PVDF/CFRETPE							
9	Backup plate	SUS304							
10	Drive magnet	Nd-Fe-B							
11	Frame	GFRPP							
12	Base frame	GFRPP/SUS304							
13	Inlet flange adapter	GFRPP/CFRPP/PVDF/CFRETPE							
14	Outlet flange adapter	GFRPP/CFRPP/PVDF/CFRETPE							
15	Inlet adjustable flange	GFRPP/PVDF							
16	Outlet adjustable flange	GFRPP/PVDF							
17	Motor								

AMX SERIES

Magnetic Drive Pump

PERFORMANCE CURVES



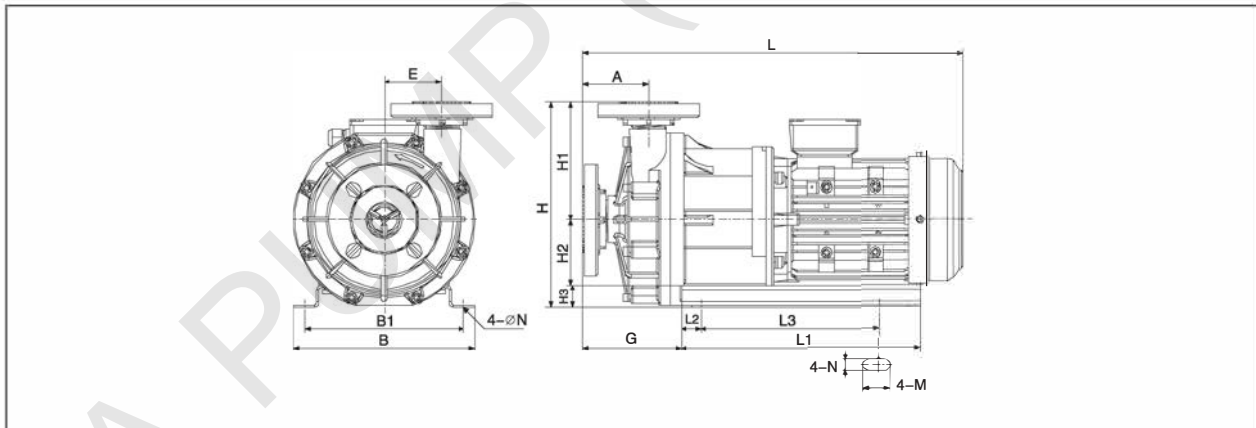
AMX SERIES

Magnetic Drive Pump

SPECIFICATIONS

Model	Inlet x Outlet	Frequency (HZ)	Rated Capacity (L/min)	Rated Head (m)	Max. Capacity (L/min)	Max. Head (m)	Motor output (kW)
AMX-440	40 x 40	50HZ	100	10.5	240	12	0.4
		60HZ		11.5		13	
AMX-441	40 x 40	50HZ	150	15.5	330	19	0.75
		60HZ		15.5		19	
AMX-542	50 x 40	50HZ	200	21	450	24.5	1.5
AMX-552	50 x 50	60HZ		21		25.5	
AMX-542H	50 x 40	50HZ	100	26.5	250	27.5	1.5
AMX-552H	50 x 50	60HZ		29		30.5	
AMX-543	50 x 40	50HZ	250	26	510	31	2.2
AMX-553	50 x 50	60HZ		26		31	
AMX-543H	50 x 40	50HZ	150	32	300	34	2.2
AMX-553H	50 x 50	60HZ		34		36	
AMX-545	50 x 40	50HZ	250	31	500	35	3.75
AMX-555	50 x 50	60HZ		35		39	
AMX-653	65 x 50	50HZ	450	16	600	20	2.2
		60HZ		16		20	
AMX-655	65 x 50	50HZ	500	25	860	27.5	3.75
		60HZ		25		28	

DIMENSIONAL DRAWING, PART DRAWING



Item Model	Size(mm)															Flange(mm)	
	A	B	B1	E	G	H	H1	H2	H3	L	L1	L2	L3	N	M	Inlet	Outlet
AMX-440	87.5	225	195	54	137	225.5	130.5	70	25	430.5	203	30	138	12	22	40	40
AMX-441	105.5			72	153.5	257.5	142.5	90	491.5								
AMX-542(H)	91	250	220	80	136	282.5	162.5	90	30	525	330	27	246	14	38	50	40
AMX-552(H)						324.5				592							
AMX-543(H)					131	331	169	132	539	598	65	40					
AMX-553(H)													65	40			
AMX-545															65	50	
AMX-555	92	65	40	50													
AMX-653					65	40											
AMX-655							65	50									

● NOTICE: The full length of the pump will be different, it depends on the motor brand or manufacturer and type.

ASIA PUMP (M) SDN BHD (123884-X)

No. 14 Jalan IKS Bukit Tengah,
Taman IKS Bukit Tengah, 14000
Bukit Mertajam, Penang Malaysia.
Tel: +604-508 8848 H/P: +6012-955 8646
Email: sales@asiapump.com.my
Web: www.asiapump.com.my

ASIA PUMP (SHENZHEN) CO., LIMITED

1-1st Factory, Xitou Community Industrial
Zone One Road, Songgang town, Bao'an District,
Shenzhen, China.
Tel: +86-755-237 16934 Fax: +86-755-23729910
Email: huanya@asiapump123.com
Web: www.asiapump123.com

ASIA PUMP (HONGKONG) CO., LIMITED

Room 1318-19, Hollywood Plaza,
610 Nathan Road, Mongkok,
Kowloon, Hong Kong.
Tel: (852) 2710 8200 (EXT)83889
Fax: (852) 2710 8266



Website QR Code

Distributor / Sales Agent